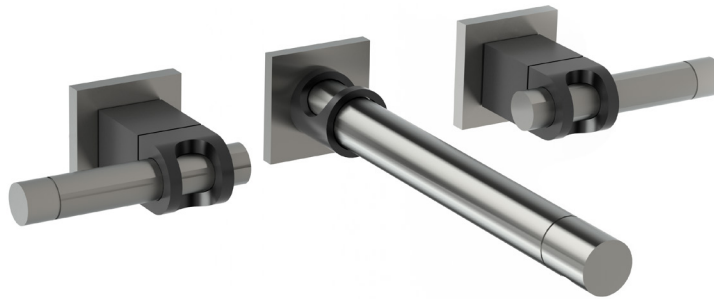




# INSTALLATION DETAILS

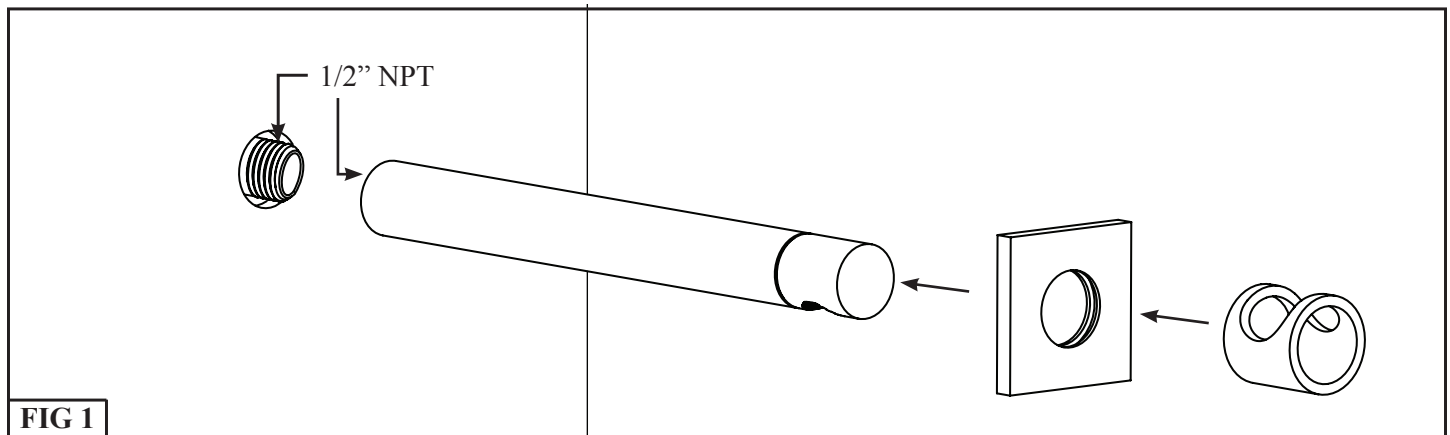
June 2016

## Strap Wall Mounted Faucets ST-LAV-WM & ST-RTF-WM

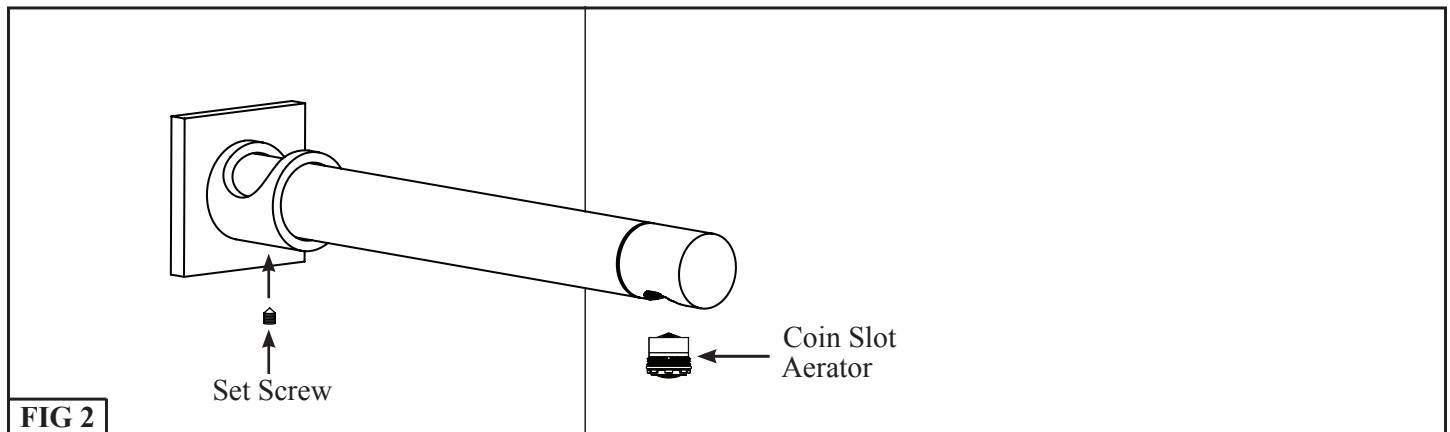


### Wall Spout Installation

1. Install spout by threading the spout onto to a 1/2" NPT nipple. See **FIG 1**



2. Slide the Flange and Strap over the spout. See **FIG 1**

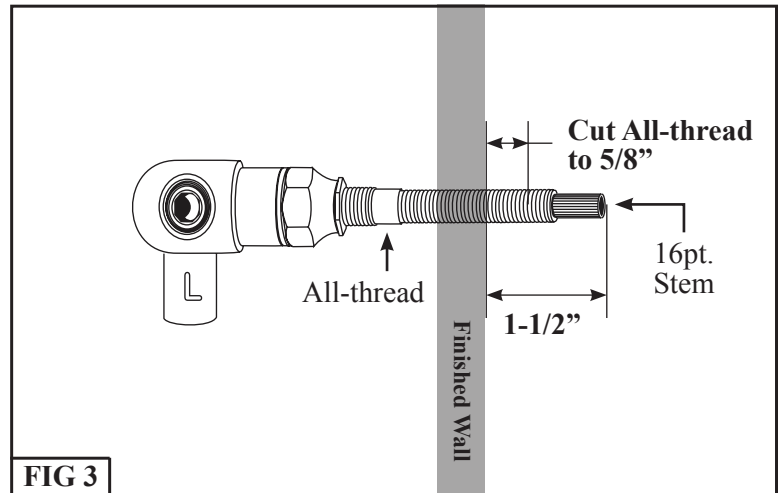


3. Tighten the Set Screw under the Strap to secure in place. See **FIG 2**

### Handle and Valve Installation

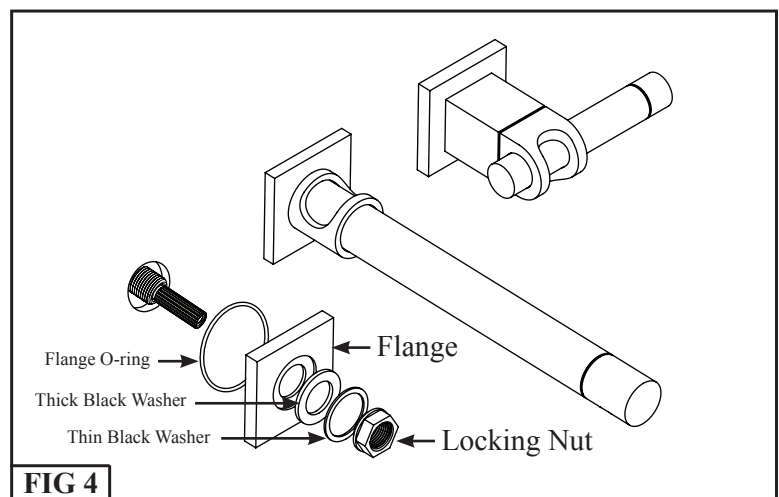
**Step 1:** Rough-in Corner Valves with the Stem protruding 1-1/2" past the finished wall through the 1-1/4" hole. See **FIG 3**

**Step 2:** Mark the All-thread at 5/8" from the Finished Wall remove then cut the excess All-thread. Re-install the All-thread. See **FIG 3**



**Step 3:** Install the Flange using the 2 Plastic Washers and the Locking Nut to secure the Flange to the wall. See **FIG 4**

**Step 4:** Install the Strap assembly onto the Stem Extension and thread the Top Screw into the Stem. See **FIG 5**.



**Note:** The Strap assembly should rest on the washers installed in Step 3.

**Step 5:** Install the lever by inserting the lever into the strap and locking the lever into place with the back cap. See **FIG 5**.

**Note:** The Lever Assemblies have 2 Pins that line up with Notches in the Strap to prevent the Lever from rotating.

**Step 6:** Test system for leaks to complete the installation.

